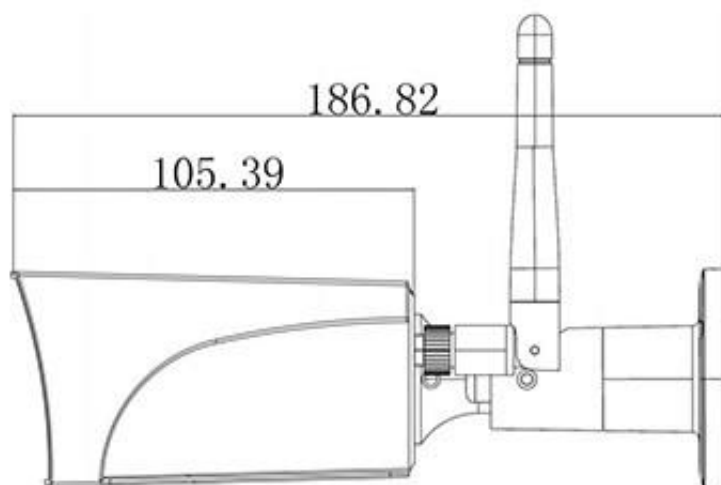
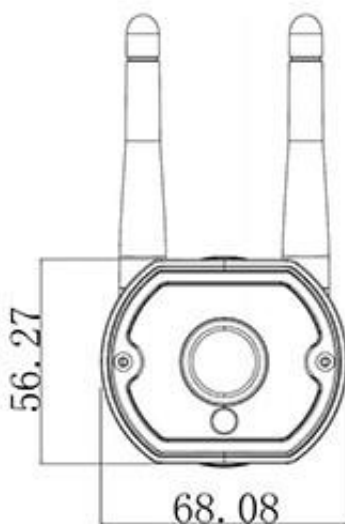


JVS-N815-WF 2.0MP H.265 IP66 Wi-Fi Camera



Video	
Image Sensor	1/ 2.7" CMOS
Max Resolution	1920 x 1080
Effective Pixels	2.0MP
Compression Standard	H.265
Maximum Frame Rate	1080P@20fps
SNR(dB)	40db
Bit Rate	40~8192Kbps
Illumination	0Lux (IR ON)
Lens	
Lens	4mm
Viewing Angle	H 87.4°, V 47°, D: 104°
IR-LEDs	18 LEDs
IR-Distance	15 Meters
Function	
Motion Detection	Support
Email Alert	Support
Day& Night	Support
Storage	Support 128GB SD Card
Pan/Tilt	Not Supported
Audio Input	Support (Built-in Mic)
Audio Codec	Support (G711A/G711U)
Privacy Mask	Support up 4 areas
Exposure Control	Support
Image Adjustment	Support
Auto. White Balance	Support
Image Rotation	Support (Mirror/Flip)
Two-Way Talk	Support
Reset	Reset button on cable
Network	
Ethernet	10M/100M Ethernet, RJ45 Port
Protocols	HTTP, TCP/IP, UDP, ICMP, DHCP, DNS
Stream	2x Streams
Wi-Fi	Wi-Fi (IEEE802.11b/g/n), 2.4Ghz

LAN	Support
Smart Phone	Support iOS/Android
General	
Dimensions	186.82x56.27x68.08 (mm)
Weights	350g
Material	Aluminum & Plastic
Working Temperature	-20°C~55°C
Humidity	Rh 10%~90%
Power Supply	DC12V/1A
Consumption	Day \leq 3W Night \leq 6W
Installation	Wall, Ceiling Bracket Mounting



Unit: mm

Product

link : <https://www.jovisionsecurity.com/jvs-n815-wf-2-0mp-h-265-ip66-wi-fi-camera-products/>