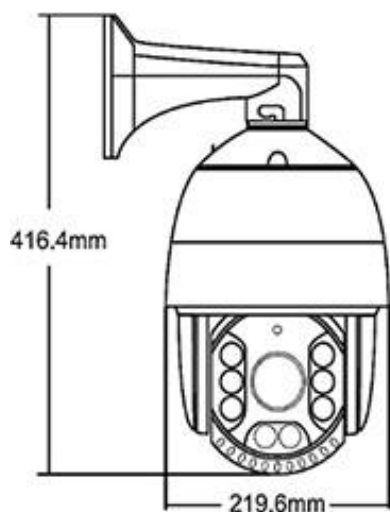


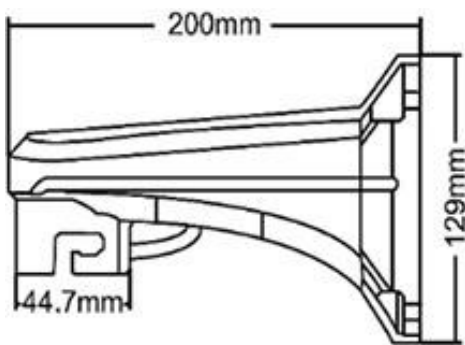
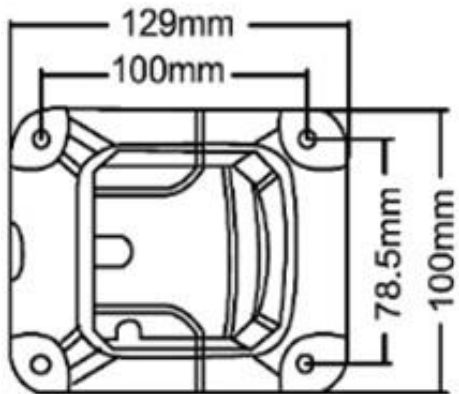
JVS-B62-DX 2.0MP Starlight PTZ IP Camera



CAMERA	
Image Sensor	1/2.8" Progressive Scan CMOS
Max Resolution	1920x1080
Effective Pixels	2.0 Mega Pixels
Optical Zoom	20x Zoom
Compression Standard	H.264/H.265
Maximum Frame Rate	Up to 25 fps
Bit Rate	307Kbps~8Mbps
Illumination	0 Lux (IR ON)
Focus Control	Auto/Manual
Focus Length	4.7±5%~94±5%mm, Optical Zoom 20X
Infrared	8Pcs High Power Array LED
IR Distance	≥100m.
FUNCTION	
OSD	Support
DWDR	Support
Smart Defog	Support
ROI	Support
Privacy Mask	Support 4 Rectangle Areas
Motion Detection	Support
Video Adjust	Supports Contrast, Brightness, Saturation, Sharpness Adjustment
Audio	Support
Image Setting	Mirror, Rotate
Alarm	E-mail, Client
Network Protocols:	HTTP, TCP/IP, ICMP, RTSP, RTP, UDP, RTCP, SMTP, DHCP, DNS, CloudSEE.
System Compatibility	ONVIF 2.4
Remote Operation	System, Stream, User, Network, Management, PTZ Function
PTZ	
Pan/Tilt Range	Pan: 0°~360°; Tilt: 0°~90°

Pan Speed	0°~200°/S
Tilt Speed	0°~170°/S
Manual Speed	High, Middle, Low
Number of Preset	255
Patrol	Up to 2 Patrols
Scan	Patrol Scan, Pattern Scan, Tilt Scan, Frame Scan, Random Scan
Control	RS485
COMMUNICATION	
Communication Protocol	Pelco-D
Communication interface	RS485
Baud Rate	1200/2400/4800/9600bps
INTERFACE	
Ethernet	1 RJ45 10M / 100M Ethernet
Audio I/O	1ch Audio In
General	
Power Supply	DC15V/3A
Power Consumption	≤ 30W
Operating Temperature	-20°C ~ +60°C
Operating Humidity	0% - 95% Rh Non-Condensation
Ingress Protection	IP66
Product Dimensions	219.6 x 416.4 (mm)
Product Weight	≤ 4800(g)





Product

link : <https://www.jovisionsecurity.com/jvs-b62-dx-2-0mp-starlight-ptz-ip-camera-products/>